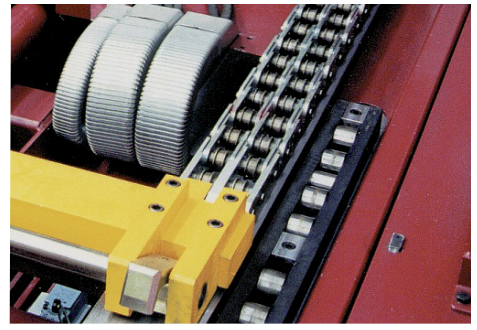
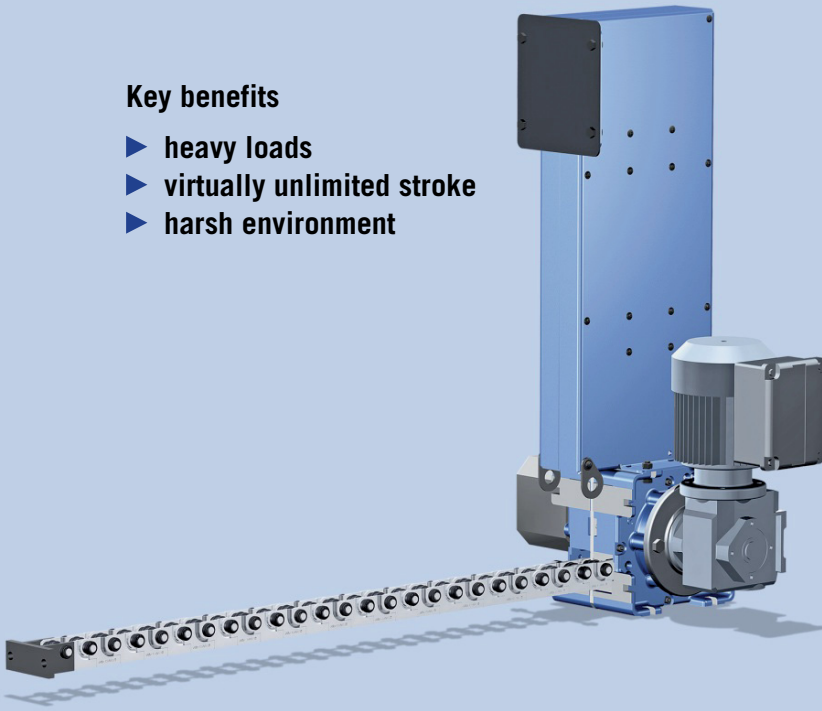


RollBeam Telescopic Linear Actuator

flexible push-pull solutions
with the rigid chain

Key benefits

- ▶ heavy loads
- ▶ virtually unlimited stroke
- ▶ harsh environment



SERAPID
PUSHING AHEAD

Flexible push-pull solutions with the rigid chain

The RollBeam range of linear-actuator systems represents the most universal implementation of SERAPID's widely used and proven rigid-chain technology. Standard models cover applications up to 50 tons at a practically unlim-

ited stroke. Special versions allow for operation in harsh environments.

Stroke length and guiding

With a guided chain, there is practically no limit to the stroke length. With unguided chains, the maximum stroke depends on the mode of operation (see *Mounting options*). Values are given in the table below. Note the maximum stroke must not be combined with the maximum thrust.

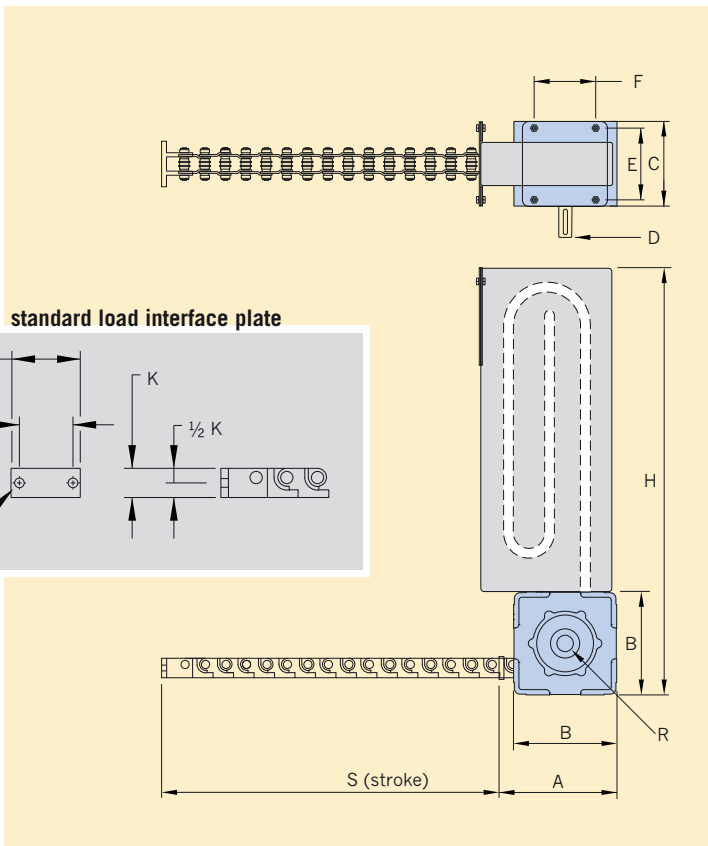
Maximum stroke for unguided chains

model	self-supported: M1 to M4	supported, shoulders down: M1	supported, shoulders up: M3
RB 40	1000	3000	3000
RB S60	2000	4000	3000
RB D60	2000	5000	3000
RB J60	2000	5000	3000
RB S90	3000	5000	4000
RB D90	3000	5000	4000
RB J90	3000	5000	4000

stroke lengths in mm

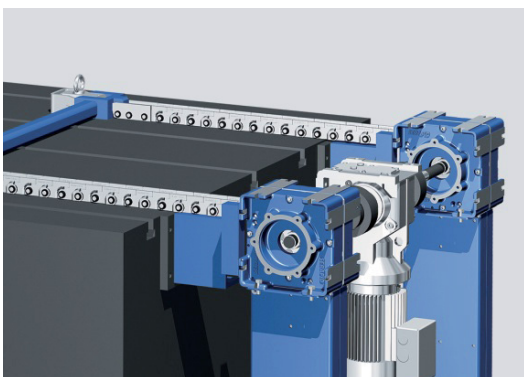
Note: The load only has to be guided with single-chain systems.

1 in = 25.4 mm
225 lbf = 1 kN
3.3 ft = 1 m



model	max. thrust [kN]	R	A	B	C	D	E	F	G	H	J	K	M
RB 40	7.5	40	230	202	164	61	140	120	90	S/3+200	70	38.5	11
RB S60	25	60	330	270	136	72	170	140	120	S/3+300	95	57	14.5
RB D60	37	60	330	270	181	72	214.5	140	180	S/3+300	150	57	14.5
RB J60	50	60	330	270	195	72	228.5	140	195	S/3+300	160	57	14.5
RB S90	80	90	475	400	268	142	300	300	225	S/3+400	175	100	21
RB D90	130	90	475	400	356	164	388	300	310	S/3+400	260	100	21
RB J90	160	90	475	400	375	164	407	300	330	S/3+400	280	100	21
special	160+	please contact us											

all dimensions in mm

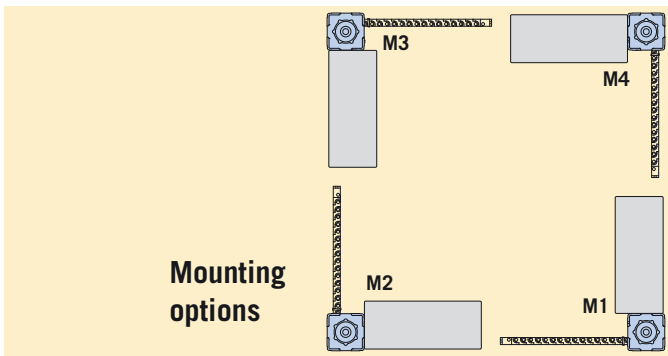
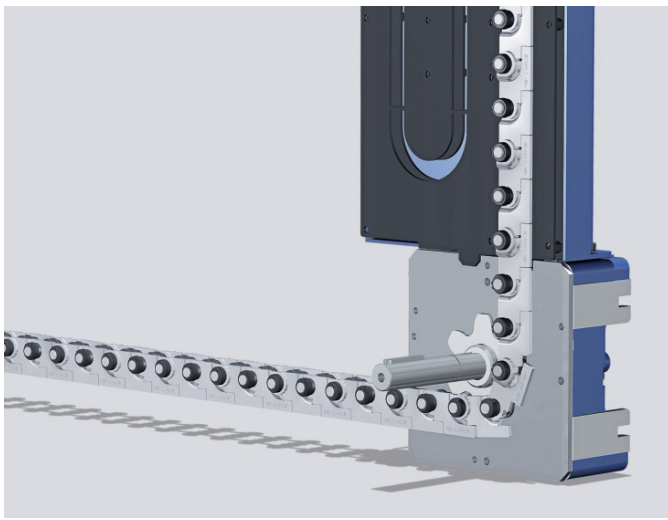


dual-chain system

Note: Dimensions are for informational purposes only. For more accurate dimensions please download the file from our web site or contact SERAPID.



1 option: over hook



Mounting options

- M1:** horizontal operation, chain-shoulders down, magazine above chain path
- M2:** vertical operation, bottom up; chain works in self-supported mode.— Please consult our brochure *Linear Telescopic Lifting Columns*.
- M3:** horizontal operation, chain-shoulders up, magazine below chain path
- M4:** vertical operation, top down—used to exert downward pressure or to hoist the load; chain works in self-supported mode. This is a special application. Consult SERAPID.

standard load interface rigid chain



2 option: C-hook

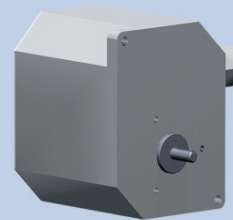
3 option: E-guide

4 option: T-rail guide

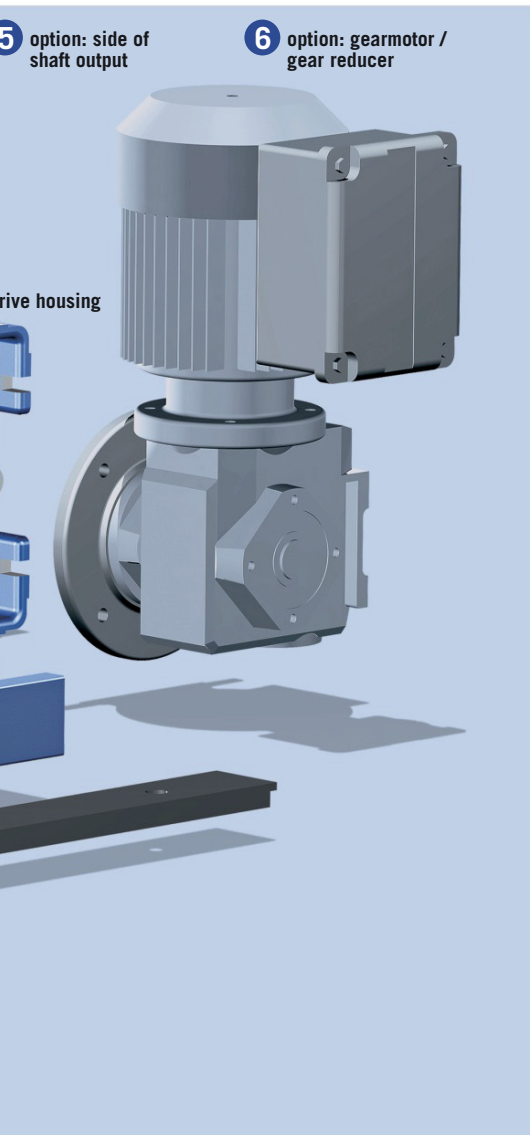


8 option: custom magazine

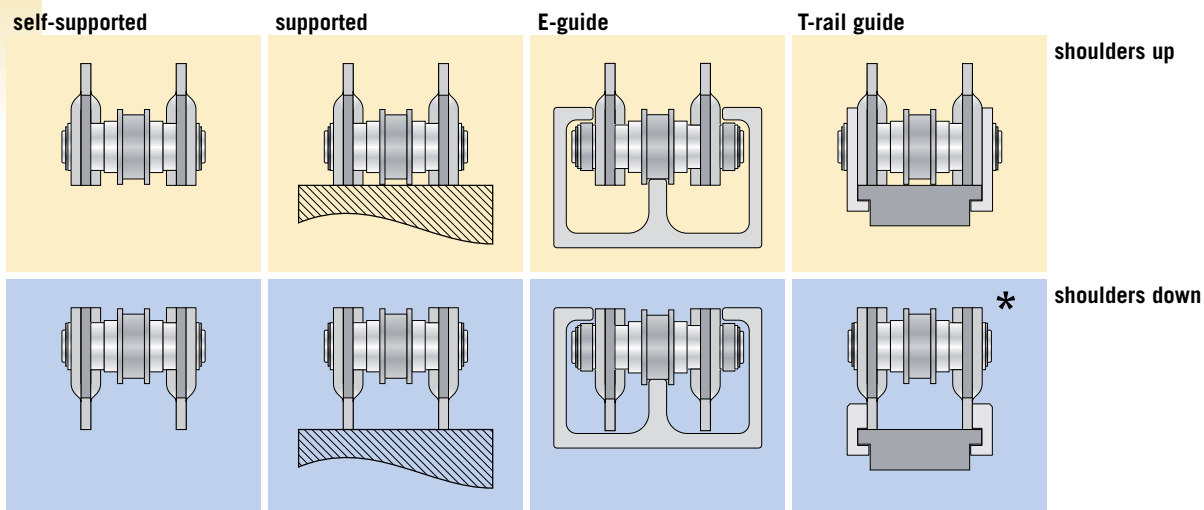
7 option: CAM switch, encoder



opt. #	description	application and function	conditions and possibilities	opt. code
std.	standard load interface (fixed bracket)	bolts directly to load	load: must move in one axis chain: unguided, self-supported, supported	—
1	over hook	loose connection with load	load: guided with single-chain system, unguided with dual-chain system chain: unguided but supported / T-rail guided	OH
2	C-hook	used when chain is guided	load: guided with single-chain system, unguided with dual-chain system	CH
*	custom hook (not shown in diagram)	as required	designed to fit application	CU
3	E-guide	guide fits under or next to load	stroke is unlimited load: guided with single-chain system, unguided with dual-chain system	EG
4	T-rail guide	chain is supported and guided	stroke is unlimited load: guided with single-chain system, unguided with dual-chain system	TG
5	side of drive-shaft output	side where motor is mounted	shaft can be output to A (left) or B (right) side, or both sides	A B AB
6	gearmotor or gear reducer	custom-sized per application	mounts on left or right; voltage or other utility as required	GM
7	CAM switch and/or encoder	mounts on side opposite to gear motor	CAM switch has 4 positions; encoder can be absolute or incremental	CS EN CSEN
8	custom magazine (see back)	magazine is custom-sized if standard size not fit	size depends on stroke, provide limiting dimension (height or width)	MAG



Note: Magazine as shown is standard. Custom magazines are available as required to fit in available space. See *Magazine options* on back page.



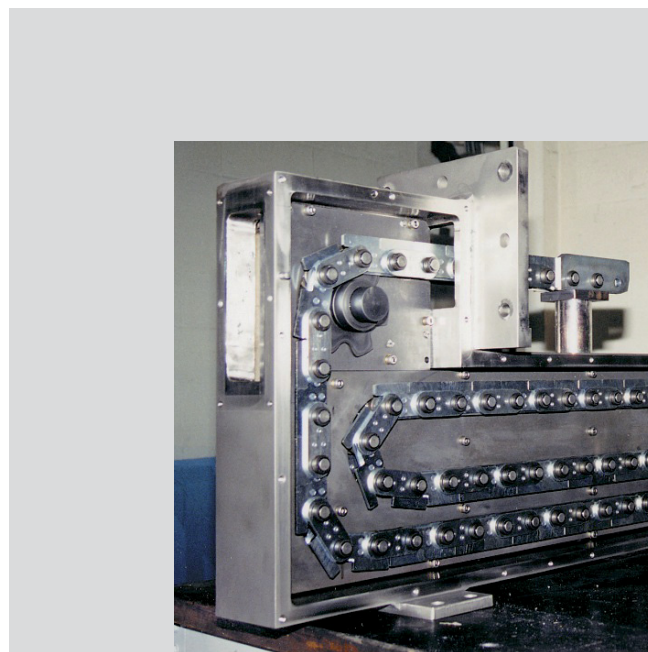
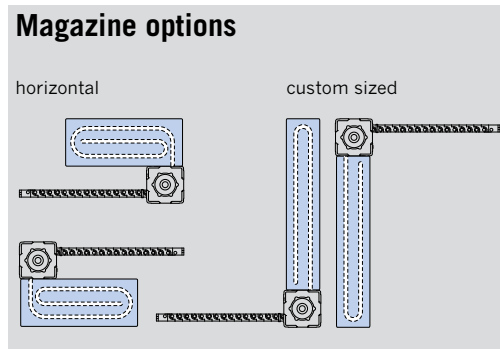
The chain is self-supported when used vertically, with mounting options M2 and M4. It can also operate self-supported when used horizontally, with options M1 and M3. With M1, the chain shoulders are down; with M3, the chain shoulders are up.—Consult us for all self-supported applications.

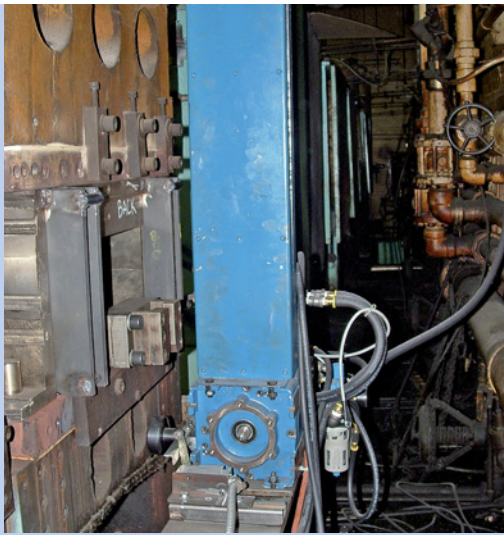
* Shoulders-down gripper option available for 60 and 90 series only.

A note on system design

These specifications should be used only as a guideline, for use in intermittent duty applications in a typical industrial environment. Dirty, harsh or unusual environments may require special sizing or accessories. In such cases, please consult our engineering department.

If your application does not fall within the specifications given here, SERAPID is ready to design and integrate a complete linear-motion system to fit your needs.





How to order

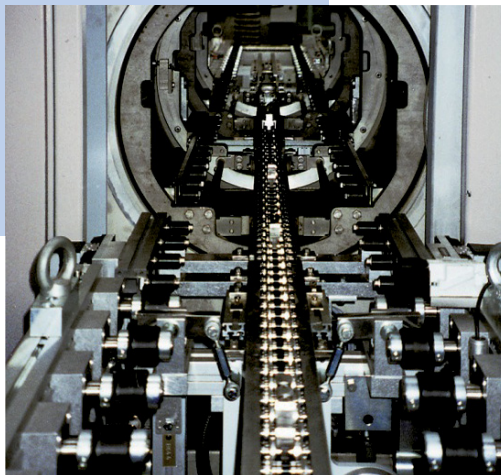
To order your specific RollBeam, summarize your choices in the following manner:

Model designation - stroke (meters) - option order codes

Example:

RB S60 -3.2-CH-EG-CSEN-A-GM

This example is for ordering a type RB S60 RollBeam with 3.2 meters of stroke, C-hook, E-guide, CAM switch and encoder, A-side (left-hand) shaft output, and a gearmotor.



www.serapid.com

SERAPID INC.

5400 18 Mile Road
Sterling Heights MI 48314, USA

Phone +1 586 274 0774

Fax +1 586 274 0775

info-us@serapid.com

STI SERAPID Group

ZI Bleue L. Delaporte
F-76370 Rouxmesnil-Bouteilles, France

Tél. +33 (0)2 32 06 35 60

Fax +33 (0)2 32 06 35 61

info-fr@serapid.com

SERAPID Ltd

Elm Farm Park, Great Green, Thurston
Bury St Edmunds – IP31 3SH, UK

Tel: +44 (0)1359 233335

Fax: +44 (0)1359 232800

info-uk@serapid.com

SERAPID Deutschland GmbH

Postfach 1711
D-97967 Bad Mergentheim

Tel. +49 (0)7931 9647-0

Fax +49 (0)7931 9647-28

info-de@serapid.com

SERAPID
PUSHING AHEAD