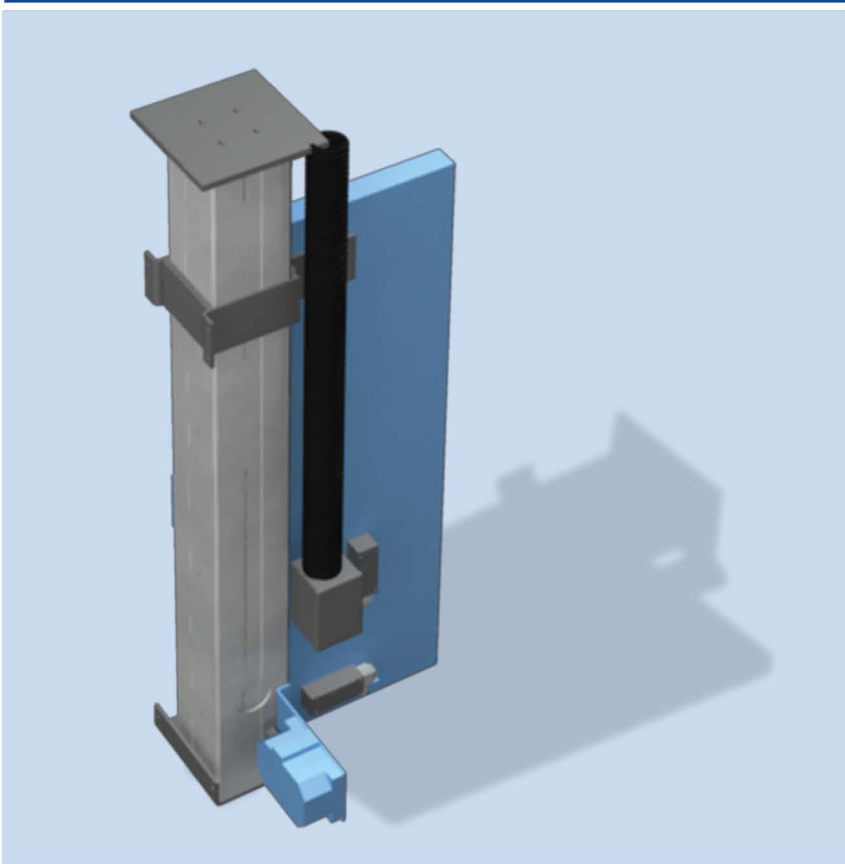


SERAPID Telescopic Mast powered by the Rigid Chain!

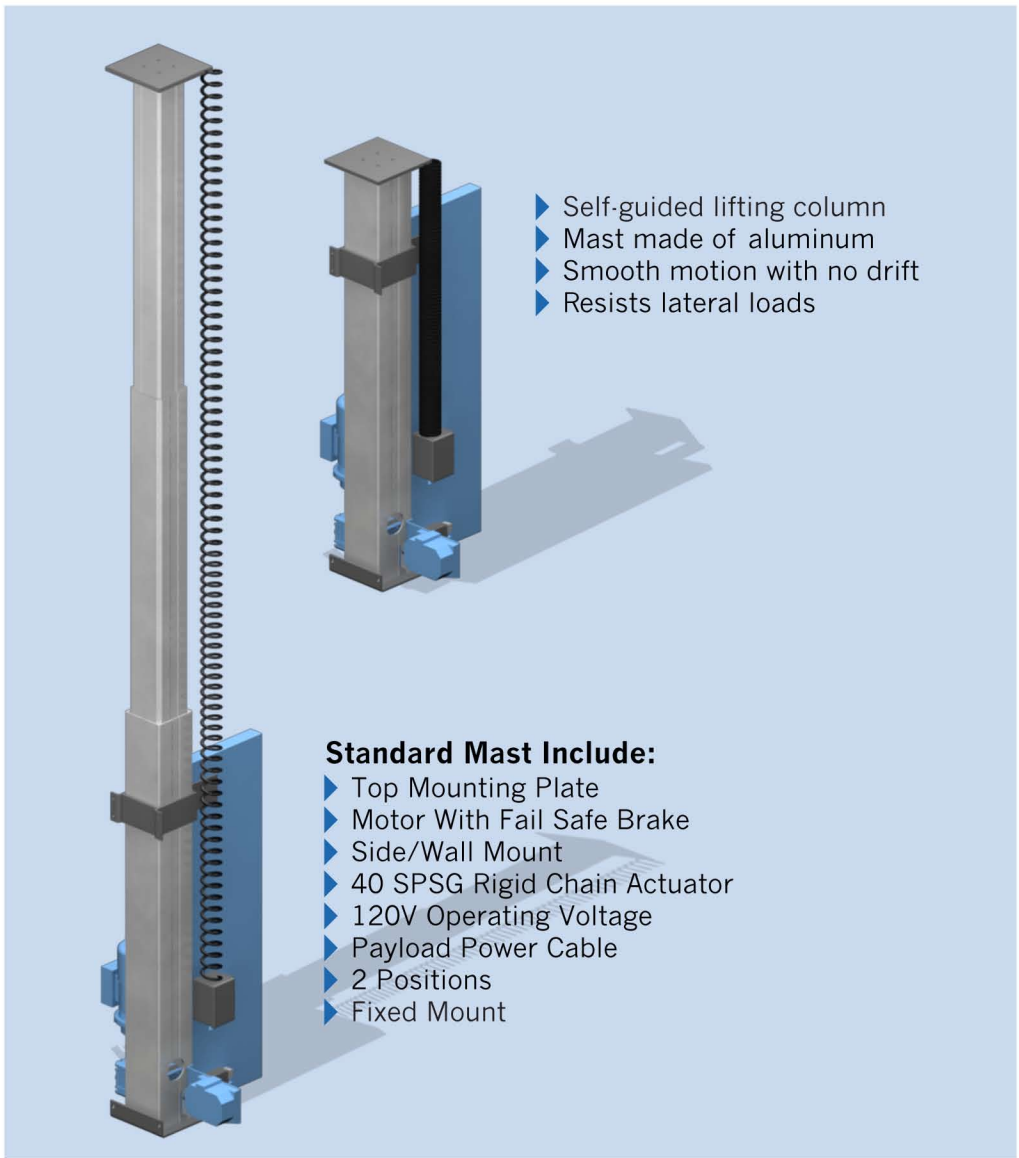
Telescopic Mast



... and its advantages:

- ▶ long stroke
- ▶ heavy loads
- ▶ self-guided lifting column
- ▶ smooth motion with no drift
- ▶ harsh environment

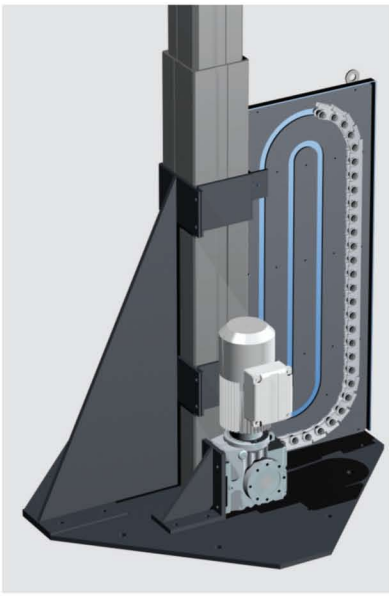
SERAPID
PUSHING AHEAD



- ▶ Self-guided lifting column
- ▶ Mast made of aluminum
- ▶ Smooth motion with no drift
- ▶ Resists lateral loads

Standard Mast Include:

- ▶ Top Mounting Plate
- ▶ Motor With Fail Safe Brake
- ▶ Side/Wall Mount
- ▶ 40 SPSG Rigid Chain Actuator
- ▶ 120V Operating Voltage
- ▶ Payload Power Cable
- ▶ 2 Positions
- ▶ Fixed Mount



This telescopic mast is driven by SERAPID's rigid chain.

SERAPID linear actuators are mechanical, telescopic and flexible: simple to install, easy to use – strong and reliable for horizontal or vertical conveyance, clean rooms or under heavy-load conditions.

	Extended height	Retracted height	Pay load STD	Pay load Max.	Dep. speed STD
TM 20	20 ft	60 in	200 lb	1000 lb	10 fpm
TM 30	30 ft	80 in	200 lb	600 lb	10 fpm
TM 40	40 ft	100 in	200 lb	400 lb	10 fpm

www.serapid.us

SERAPID Inc.
 5400 18 Mile Road
 Sterling Heights, MI 48314
 Phone: +1 (586)-274-0774
 Fax: +1 (586)-274-0775
info-us@serapid.com

www.serapid.com

SERAPID Ltd
info-uk@serapid.com

STI SERAPID Group
info-fr@serapid.com

SERAPID Deutschland GmbH
info-de@serapid.com

SERAPID S.A.S. Beijing Representative
info-cn@serapid.com

